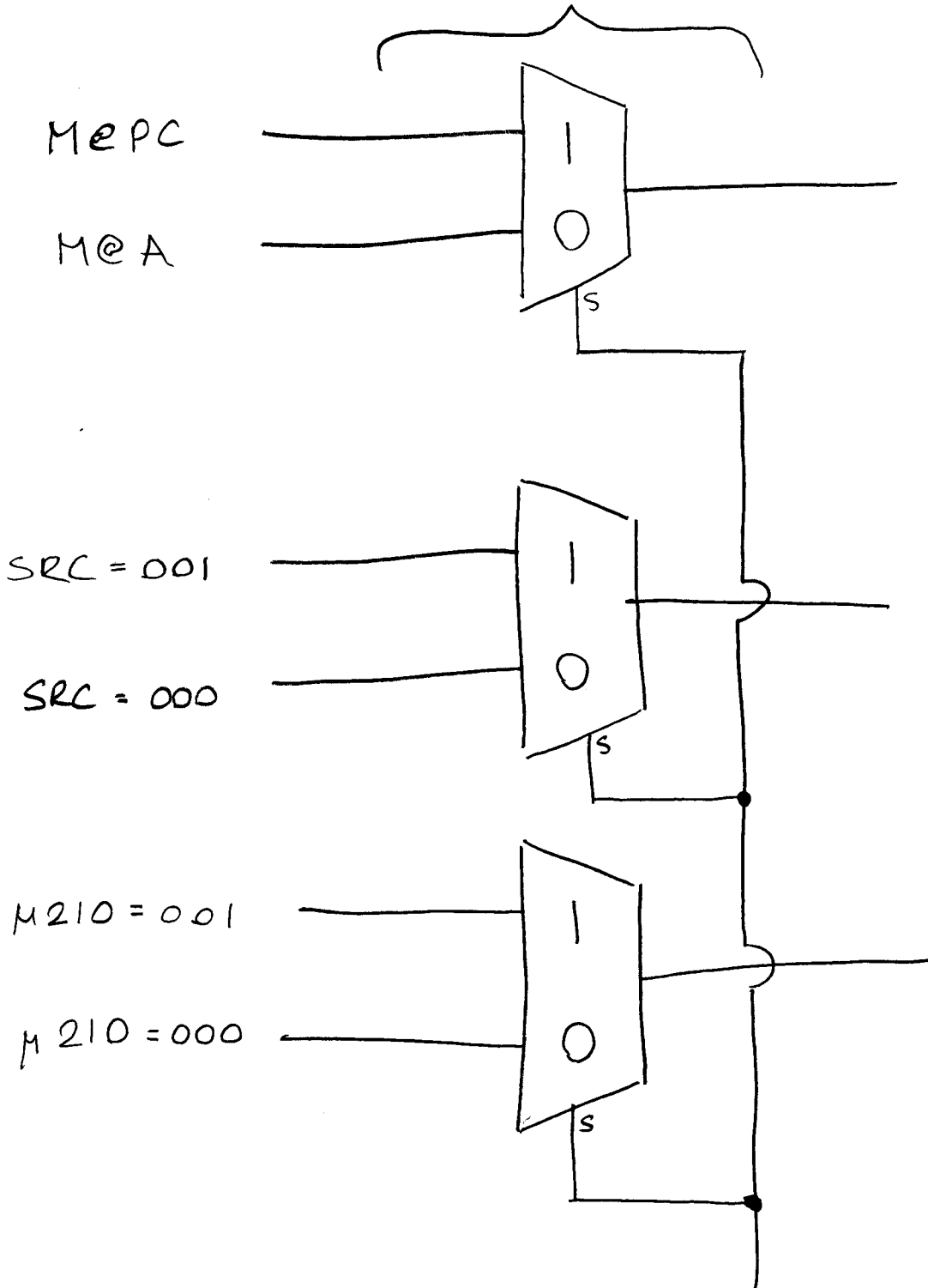


3/4 LS157



Jumper { 1 = IP  
          0 = W